



LAB 11



DIGITAL CONTROLLER

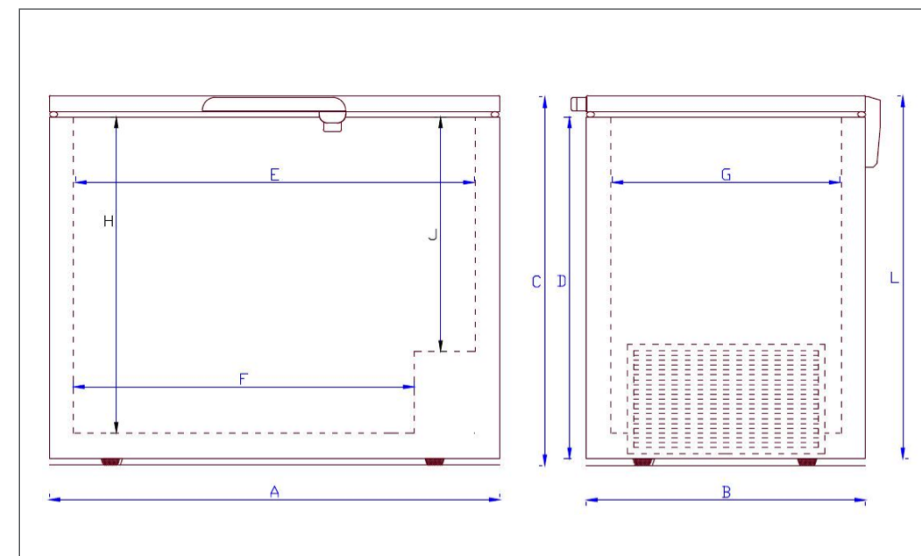
FEATURES

- Used by universities, hospitals and research institutes for long term storing of blood, skincells, DNA and organs
- Digital controller with potential free contact (which makes it possible to connect it to an external alarm)

| LAB | RELIABLE STORING AT LOW TEMPERATURE



ALARM BOX



Inner lids (left hand side) which are mandatory for optimized function

	LAB 11	LAB 31
Ambient temperature range	+10 to +30	+10 to +25
Gross volume, litres	130	300
Net volume, litres	130	300
Temperature range inside unit	-50 to -86	-50 to -86
Refrigerant: Mix of Hydro Carbons	Yes	Yes
Energy consumption / 24 h kwh	5,8	8,5
Input power (watt):	480	710
DIMENSIONS		
External dimensions (WxDxH)	725*655*865	1305*655*865
Internal dimensions (WxDxH)	520*450*650	1100*450*650
Dimension A	725	1305
Dimension B	655	655
Dimension C	865	865
Dimension D	780	780
Dimension E	520	1100
Dimension F	320	900
Dimension G	450	450
Dimension H	620	620
Dimension J	400	400
Dimension L	850	850
Insulation (mm)	100	100
ACCESSORIES		
Basket and dividers	n/a	n/a
Castors with brakes	Incl.	Incl.
Lock	Incl.	Incl.
Digital controller w. acoustic alarm	Incl.	Incl.
OTHER DATA		
Outer cabinet	White	White
Inner cabinet	Steel inner liner	Steel inner liner
Potential free contact	Incl.	Incl.
Inner foam lids incl (pcs)	2	5
Type of cooling	Static	Static
Type of defrost	Manual	Manual
Power*	220V/50Hz	220V/50Hz
Power 110volt / 60 hz	option	option
Thermostat	Digital	Digital
Net weight, kg	56	80
Gross weight, kg	63	88
SHIPPING		
20' cont. Capacity	42	24
40' cont. Capacity	90	50
Standard Trailer capacity	102	60



LAB 31