



LED
Lighting System

Environmentally, Economically Smart
800W LED Technology

- LED 800W is equivalent to 1000W Metal Halide Lamp
- No Restrike Time, Instant start / restart
- 3-Stage Dimming Control (800w/600w/400w)

ALL-IN-ONE Case
Compact and Able to Pile Up

B8Q5S | 



Compact Size
Easy to Carry Around

B8Q5H | 



800W LED Technology

LED Features

Immediate Strike

Provide fullest brightness without waiting

Shock Resistant

Durable compared to normal bulb

Safe

LED holds less heat, convenient operation process

Long Life Hours

Up to 40,000 hours of operating life per bulb

Application



Maintenance



Investigation

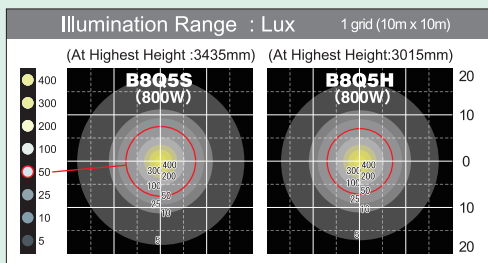


Event

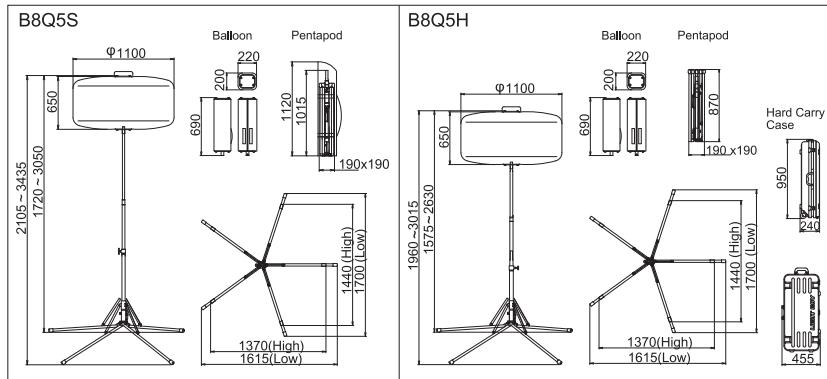


Construction Site

Brightness



Dimensions(mm)



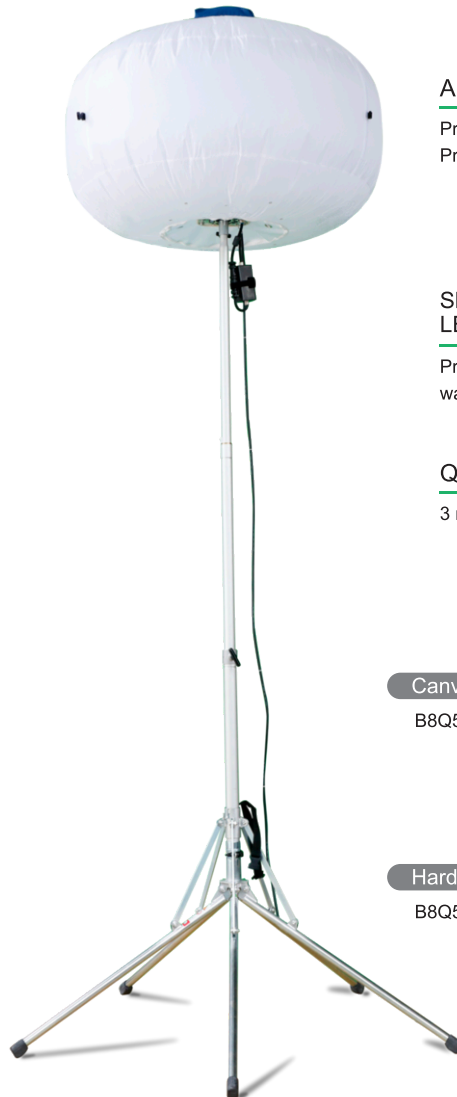
Specification

Model		B8Q5S-CE	B8Q5H-CE
Voltage (V)		AC 90~240	
Frequency (Hz)		50/60	
Current (A)		3.6(AC230V,800W)	
Type		LED	
Dimming Control		3 Stages : 800W/600W/400W	
Total Luminous Flux (lm)		110000(800W)/90000(600W)/67000(400W)	
Temperature (°C)		-10 ~ 40	
Mast		Telescopic Aluminum Mast	
Mast Operating		Hand Operation	
Light Tower Dimension	1st Level (L×W×H) (mm)	1615×1700×1720~3050	1615×1700×1575~2630
	2nd Level (L×W×H) (mm)	1370×1440×2105~3435	1370×1440×1960~3015
	Storage (L×W×H) (mm)	200×220×690	
Weight	Ballon (kg)	11.2	
	Pentapod (kg)	10.7	10.5
	Carry Case (kg)	0.7	8.9
	Total Weight (kg)	22.6	30.6
Appropriate Generator		850W and above	

Features and equipment specifications are subject to change without notice.

Option

Message Strip
 Message Strips fit on both sides of the balloon.



Air-Assisted Mast

Prevents sudden descent
 Protects the lamps



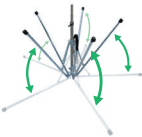
Shock Resistant LED Assembly

Protects the lamps and
 water proof



Quick and Easy Setup

3 min. setup/stored



Canvas Carry Case

B8Q5S



Hard Carry Case

B8Q5H

