



Nozzles and portable monitors

 **rosenbauer**

Nozzles and portable monitors.

■ SELECT FLOW EN – maximum extinguishing effect.

The Rosenbauer SELECT FLOW nozzle enables the manual 4-stage adjustment of the water flow rate via an adjusting ring. This achieves a maximum extinguishing effect with minimal water consumption. The SELECT FLOW nozzles RB 99 EN, RB 100 EN and RB 101 EN are TÜV Austria certified according to the standard for nozzles EN 15182-2:2007.

Design and ergonomics



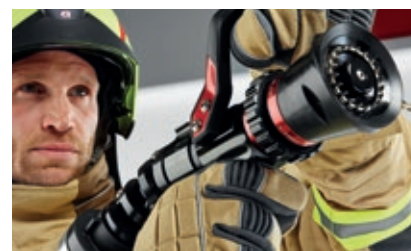
Spinning teeth made of stainless steel: For best fog pattern when using „protective-shield“-setting.

Shock-resistant pattern adjustment bumper: With integrated pointer. The flash over position at 45° (pointer at 12h) is easy to detect even when wearing fire fighting gloves.



Stream pattern adjustment: Within 100° rotation adjustment from straight stream to protective shield.

Ergonomic on/off handle: Glass-fibre reinforced and additionally light alloy reinforcements on both sides.



Ergonomic pistol grip: For better handling and reduced fatigue when wearing fire fighting gloves.

High-quality materials: Body made of hard anodised light alloy, water carrying components made of corrosion-resistant materials.



Technical data SELECT FLOW

Type	SELECT FLOW RB 99 EN	SELECT FLOW RB 100 EN	SELECT FLOW RB 100D EN	SELECT FLOW RB 101 EN
Adjustable flow settings in l/min	17	45	45	130
	30	85	85	230
	80	130	130	300
	130	200	235	400
Max. throwing range approx.	32 m	36 m	36 m	44 m
Length	30 cm	30 cm	30 cm	31 cm
Weight	2 kg	2 kg	2 kg	2.2 kg

The performance details of the flow quantity and the throw range for all SELECT FLOW EN nozzles are in accordance with European specifications, provided in reference to an operating pressure of 6 bar. Length and weight are measured with Storz C coupling. All SELECT FLOW branch pipes are suitable for a maximum operating pressure of 16 bar. The indicated throw ranges and spray angles are based on the maximum flow setting.

■ Flow pattern of the SELECT FLOW nozzles:



Straight stream

- Working from a safe distance with extensive throw range
- High kinetic energy to eliminate ember and fire pockets



Variable fog patterns

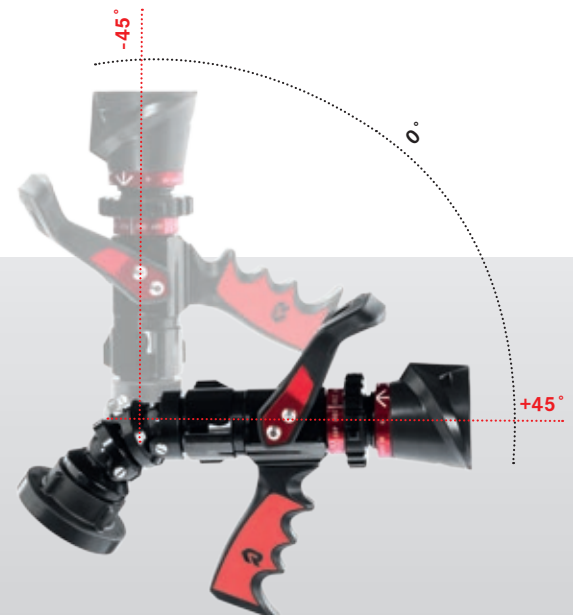
- Fine water droplets for rapid heat reduction
- Minimisation of water damage due to smaller volumes of water
- Ideal for cooling, fume abatement and combating fires involving burning liquids



Protective shield

- Finest water droplets and wide spray angle to create a large area protective shield
- Protection of fire fighting team against radiant heat

■ Swivel joint for SELECT FLOW RB 99, RB 100, RB 101



Enables swiveling motions up to 45° in every direction. The swivel is ideal for cooling down the flue gas of an interior fire, since the hose does not have to be pulled along with upward motion.

In case of outdoor attacks, the swivel is used as an elbow support. Movement is possible in every direction.

Nozzles and portable monitors.

■ SELECT FLOW NFPA

The Rosenbauer SELECT FLOW type „NFPA“ conforms to all aspects of NFPA 1964:2008. It permits multiple flow settings using a selection control ring with detents.



Technical data SELECT FLOW NFPA

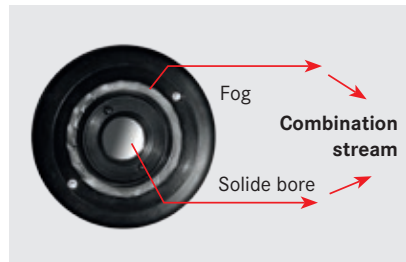
Type	SELECT FLOW RB 99 NFPA	SELECT FLOW RB 100 NFPA	SELECT FLOW RB 101 NFPA	SELECT FLOW RB 102 NFPA
Adjustable flow settings in l/min	19	50	115	360
	37	100	230	475
	90	150	360	550
	150	230	475	750
Max. throwing range approx.	39 m	40 m	47 m	52 m

The flow settings and the throwing range are measured with reference to an operation pressure of 7 bar. Length and weight depending on the type of the nozzle and the used coupling. From 1.7 kg for the RB 99 NFPA (with 1" BSP female) up to 3.2 kg for the RB 102 NFPA with a Storz B coupling. All SELECT FLOW branch pipes are suitable for a maximum operating pressure of 16 bar. The indicated throw ranges and spray angles are based on the maximum flow setting.

PRO JET

The PRO JET provides a wide range of stream combinations:

- Providing the combination of solid stream and fog pattern at the same time or independently
- Switch from solid to fog stream without shutdown
- Twist shutoff of the fog stream – ball shutoff of the straight stream
- Operates efficiently at pressure as low as 3.5 bar (50 psi)



Combined straight stream and variable fog patterns

CAFS capability

The combined solid and fog stream pattern is not the only highlight of the PRO JET. Another significant advantage lies in the CAFS capability of this nozzle. Fires can be extinguished particularly efficiently and quickly by means of foam from the vehicle's CAFS system or from the mobile Poly Trolley.



Suitable for many operations:

- Interior
- Exterior
- Penetration
- Protection
- Ventilation

Technical data PRO JET

Modell	PRO JET I	PRO JET II
Adjustable flow settings in l/min	approx. 180* approx. 370**	approx. 420* approx. 680**
Max. throwing range approx.	34 m	40 m
Length	30 cm	31 cm
Weight	2 kg	3 kg

* for solid jet

** for combined jet

The performance details of the flow quantity and the throw range are provided in reference to an operating pressure of 3.5 bar at the nozzle. Length and weight with the Storz C or Storz B clutch. All PRO JET branch pipes are suitable for a maximum operating pressure of 7 bar.



Portable monitors.

■ RB 6 and POWER STREAM in support of fire fighting.

Portable monitors can be used for fire fighting, cooling or as a water shield. They can be used either manned or unmanned. Maximum throwing range from approx. 50 – 55 m, depending on model and nozzle used.

RB 6: compact and light

- Robust and light construction
- Easy and quick to maneuver, stable operation
- Can be stored in small spaces on vehicle
- Low center of gravity for stable operation
- Unmanned operation possible (observe safety guidelines)
- Available with various nozzles
- Vertical pivoting range of 30° to 60° unmanned, from 20° to 60° manned
- Horizontal swivel range +/- 20° from the center
- Flow rates: 360 - 475 - 550 - 750 - 950 l/min, 750 - 950 - 1,325 l/min, 950 - 1,400 - 1,900 l/min
- Can be delivered with all common coupling systems

POWER STREAM: maximum flow

- Vertical swivel range of 25° to 70°
- Horizontal swivel range +/- 90° from the center
- Safety stop at 35°, can be unlocked to empty the monitor
- Quick-release locking system with spring bolts for quick and easy setup
- Flow rate with standard nozzle: 1,200 - 1,600 - 2,000 - 2,400 l/min
- Can be stored on vehicle
- Can be delivered with all common coupling systems



RB 6



POWER STREAM

Technical data

Type	RB 6	POWER STREAM
Base frame	Folding and space-saving with carbide tips	
Stream pattern	Continuously adjustable from straight stream to spray jet	
Swivel range (continuous)	Vertical 30° to 60° unmanned From 20° to 60° manned Horizontal +/- 20° from the center	Vertical 25° to 70° stepless, rotatable via the handlebar, safety stop at 35° Horizontal +/- 90° from the center
Dimensions (HxWxD)	Ready for action: 61 x 58 x 23 cm Pack size: 45 x 23 x 23 cm	Ready for action: 75 x 68 x 50 cm Pack size: 70 x 40 x 50 cm
Throwing range approx.	up to 50 m at 1,325 l/min	up to 50 m at 1,600 l/min up to 55 m at 2,400 l/min
Weight incl. nozzle*	approx. 9 kg	approx. 17 kg

* depending on the clutch used

The performance details of the flow quantity and the throw range are provided in reference to an operating pressure of 7 bar. All portable monitors are suitable for a maximum operating pressure of 14 bar. Caution: Monitors must be secured during operation.

RB 6: oscillating

- Adjustable, water-driven control pivots the nozzle 10°, 15° or 20° per side
- 950 - 1,400 - 1,900 l/min
- Oscillating can be stopped with On/Off switch at any time
- Built-in pressure gauge
- Monitor starts oscillating at approx. 650 l/min

Order data

	SELECT FLOW RB 99 EN*	SELECT FLOW RB 100 EN*	SELECT FLOW RB 100D EN*	SELECT FLOW RB 101 EN*	PRO JET I	PRO JET II
BSP 1" fem.	279500	279530		279560		
BSP 1 1/2" fem.	279505	279535		279565	279215	279220
BSP 2 1/2" fem.					279216	279221
Storz B						279222
Storz C	279510	279540	27954901	279570	279217	
Storz C + Swivel joint	279514	279544	27954904	279574		
Storz 65	279517	279547		279577		
BSS 336 1 1/2" male	279520	279550		279580		
BSS 336 2 1/2" male		279555		279585	279218	279223
BSS 336 1 1/2" male + Swivel joint	279516	279546		279578		
NH 1 1/2" female	279525	279557		279590		
NH 2 1/2" female					279219	
Quick clamp on foam tube	279236	279236		27923101	279231	279237

* The RB 99 EN, RB 100 EN and RB 101 EN nozzles are tested according to EN 15182-2:2007 by TÜV Austria

	SELECT FLOW RB 99 NFPA	SELECT FLOW RB 100 NFPA	SELECT FLOW RB 101 NFPA	SELECT FLOW RB 102 NFPA
BSP 1" fem.	279239	27922802	27923008	
BSP 1 1/2" fem.	279240	279234	27923004	279233
BSP 2 1/2" fem.				27923307
Storz B				27923302
Storz C	279245	279229	27923005	
Storz 65	279246	27922906	27923006	27923304
BSS 336 1 1/2" male	279247	27922805	279230	
BSS 336 2 1/2" male	27924705	27922807	27923002	27923301
BSS 336 1 1/2" male + Swivel joint	27924805	27922810	27923014	
NH 1 1/2" female	279248	27922804	27923003	
NH 2 1/2" female				27923305
Quick clamp on foam tube	279236	279236	279231	279237



Storz B or C



BS



NH



Foam tube

All nozzles can be supplied either without coupling (female thread) or individually fitted with Storz, British Standard or NH couplings. Other coupling systems are available on request.

Nozzles and portable monitors



Monitor RB 6

Order no.	Coupling	Tip
265493	Storz B	360 - 475 - 550 - 750 - 950 l/min
265630	Storz B	750 - 950 - 1,325 l/min
265640	Storz B	950 - 1,400 - 1,900 l/min
26549305	Storz 65	360 - 475 - 550 - 750 - 950 l/min
265497	BSS 336 2 1/2" male	360 - 475 - 550 - 750 - 950 l/min
265650	BSS 336 2 1/2" male	750 - 950 - 1,325 l/min
265660	BSS 336 2 1/2" male	950 - 1,400 - 1,900 l/min
265494	BSP 2 1/2" female	360 - 475 - 550 - 750 - 950 l/min
265508	BSP 2 1/2" female	750 - 950 - 1,325 l/min
265500	BSP 2 1/2" female	950 - 1,400 - 1,900 l/min

Monitor RB 6 oscillating

Order no.	Coupling	Tip
265513	Storz B	950 - 1,400 - 1,900 l/min
265514	Storz 65	950 - 1,400 - 1,900 l/min
265515	BSS 336 2 1/2" male	950 - 1,400 - 1,900 l/min
265512	BSP 2 1/2" female	950 - 1,400 - 1,900 l/min

Monitor POWER STREAM

Order no.	Coupling	Tip
265485	2x Storz B	1,200 - 1,600 - 2,000 - 2,400 l/min
265492	2x Storz 65	1,200 - 1,600 - 2,000 - 2,400 l/min
265487	2x BSS 336 2 1/2" male	1,200 - 1,600 - 2,000 - 2,400 l/min
26548520	2x BSP 2 1/2" female	1,200 - 1,600 - 2,000 - 2,400 l/min
26548705	2x NH 2 1/2" female	1,200 - 1,600 - 2,000 - 2,400 l/min

Tips for RB 6 and POWER STREAM

Order no.	Tip
265504	360 - 475 - 550 - 750 - 950 l/min
265503	750 - 950 - 1,325 l/min
265502	950 - 1,400 - 1,900 l/min
265486	Foam Tip 1-3 % 1,900 l/min incl. 2.5 m suction hose

